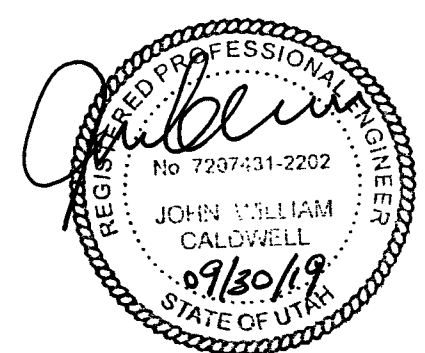
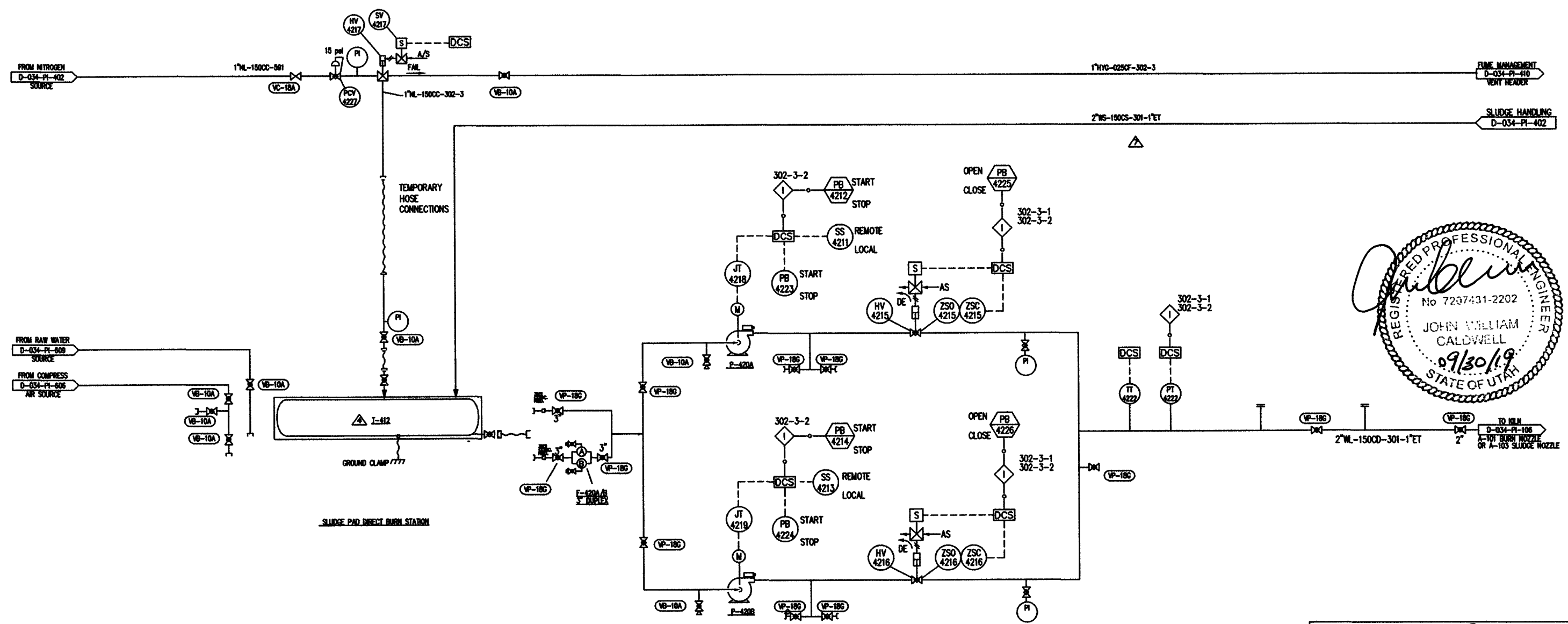


P-420A/B UNLOADING PUMPS
 T-412 DOT PORTABLE CONTAINER OR TRUCK TANKER
 F-420A/B SLUDGE PAD - 3" STEEL DUPLEX STRAINER



INTERLOCK DESCRIPTION

- ▲ 302-3-1 - PRESSURE INTERLOCK, PUMP OFF AND VALVE CLOSED ON HIGH PRESSURE
- ▲ 302-3-2 - PUMP OFF ON VALVE CLOSED

REVISIONS					REVISIONS						
NO	DESCRIPTION	DATE	BY	CHK	ENG MGR	NO	DESCRIPTION	DATE	BY	CHK	ENG MGR
▲	ADDITION OF RETURN LINE FOR SLUDGE LOOP	4-30-19	JWR	CP	JWR	▲	CORRECTED DWG FOR SLUDGE PAD DIRECT BURN AND ADDED DUPLEX STRAINER BEFORE PUMPS.	11-17-15	MM	LB	
▲	AS BUILT	8-18-2011	LCC			▲	ADDED ISOLATION VALVES AND CLARIFIED SIZES OF FILTER CONNECTIONS AND VENT LINE DWG REF.	04-22-18	MM	LB	
▲	SUBMIT TO UTDEQ FOR TEMP AUTHORIZATION	10-1-2011	LCC			▲	UPDATED INTERLOCKS	09-13-16	MM	LC	
▲	SHOW FEED TO AFTERBURNER FOR <350ppm MATL										
▲	CHANGE DRAWING TITLE, REMOVE ABC FEED REF.	1-31-2012	TJK								

APPROVALS		
BY	DATE	
LOC	08-24-2011	
DRAWN		
CHECKED		
ELEC		
MECH		
STRUCT		
PROJECT ENG		
ENGINEERING MGR		
AS BUILT		

REGISTERED PROFESSIONAL ENGINEER
 DATE: _____

CleanHarbors
 MANAGERS LLC
 "LIFE IS BETTER WITH CLEAN WATER"

TITLE: UTAH ENVIRONMENTAL SERVICE CENTER INCINERATION PLANT FOR INDUSTRIAL WASTES SLUDGE PAD DIRECT BURN STATION

FOR TOOELE SITE
 SCALE: _____ JOB NO: _____

CAD NO. PI302-38
 SAFETY-KLEEN DWG NO. D-034-PI-302-31
 REV 7